

INSTRUCTIONS

DSC250

funke®

250

Active  
Indoor  
Antenna  
for Digital TV

DSC

18 dBi



clearly the best

WWW.FUNKE.NL

INDOOR

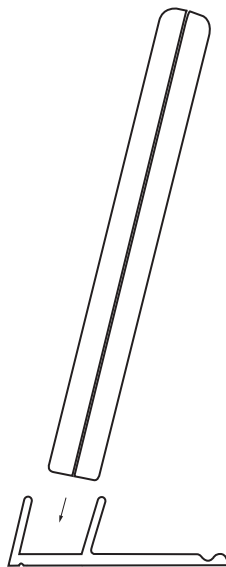
O2



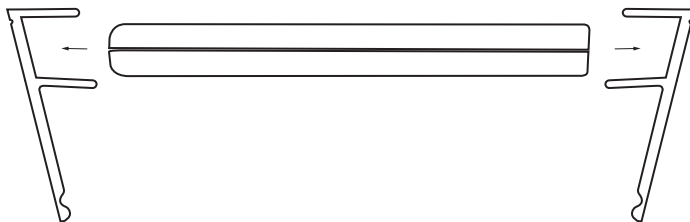
Check terrestrial network polarization with network operator.

Be sure the antennae is powered with 5v by the set-top-box or TV. Otherwise use optional 5v power inserter

# Vertical installation

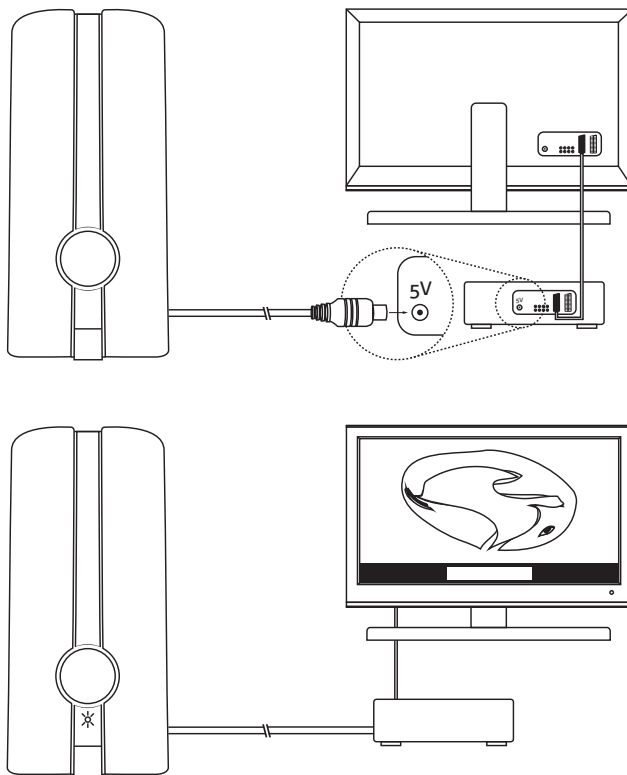


## 04 Horizontal installation

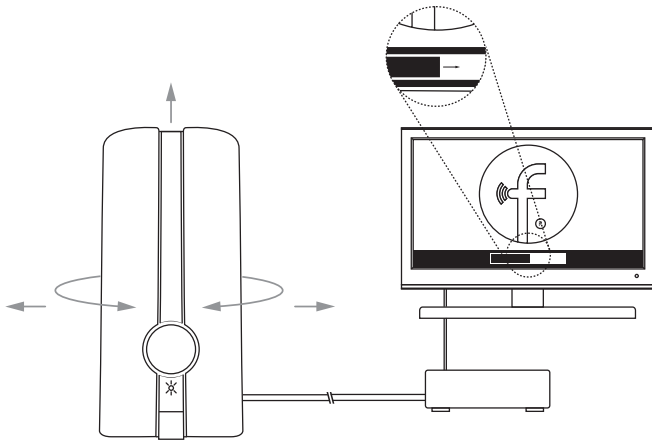


# Connecting the antenna & Scan for channels

05

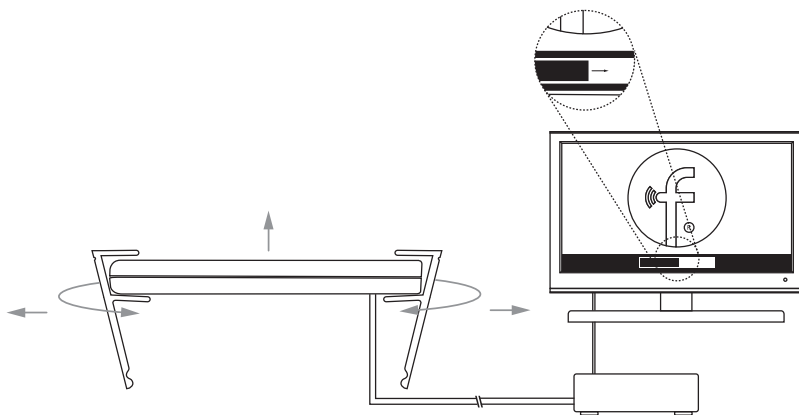


## 06 Find best vertical position



## Find best horizontal position

07



«funke»

FOR MORE INFORMATION

Funke Antennen B.V.  
P.O. Box 36  
5280 AA Boxtel, The Netherlands

info@funke.nl  
www.funke.nl

