

INSTRUCTIONS

ADSC410  
ADSC470

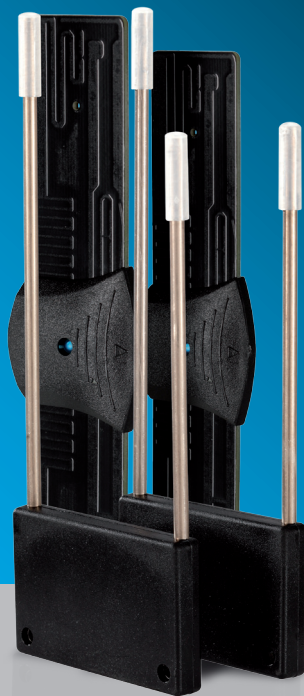
funke®

410/470

Active  
Automotive  
Antenna  
for Digital TV

ADSC

16 dBi



clearly the best

[WWW.FUNKE.NL](http://WWW.FUNKE.NL)

The ADSC410 & 470 are antennas for automotive use. Because metal parts inside a vehicle can influence the reception of digital terrestrial signals, it is not possible to give an unambiguous installation instruction that is applicable for every type of car. Therefore this instruction describes general guidelines to assure optimal reception in most cases. Nevertheless it is recommendable in particular situations to find the best arrangement by experimental trials.

Install the antenna in a dry place and try to keep it at least 6 cm away from metal parts.

This antenna cannot be used on reflective coated screens or on the heated part of a screen.

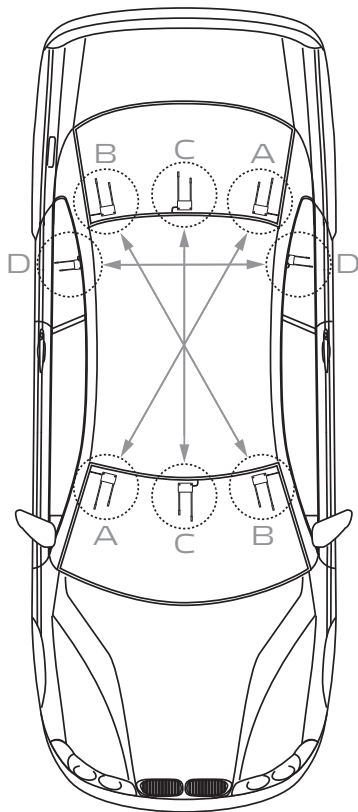
Do not install the antenna in a manner that would obstruct the driver's view or allow the cable to interfere with the safe operation of the vehicle controls or with the vehicle safety instructions e.g. seatbelts and airbags.



Check terrestrial network polarization with your network operator.

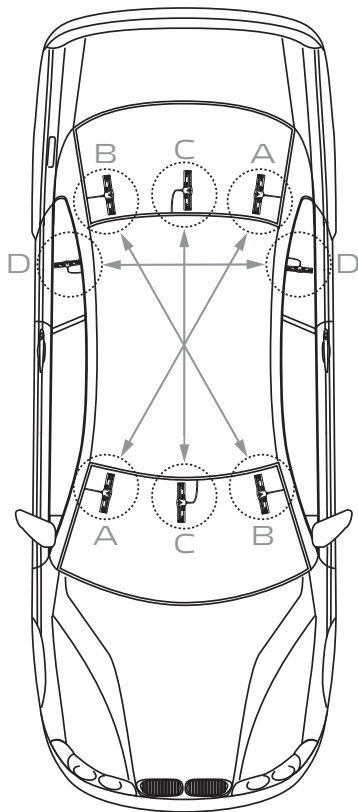
Be sure the antennae is powered with 5V by the diversity tuner

# 04 Installation options ADSC410 vertical

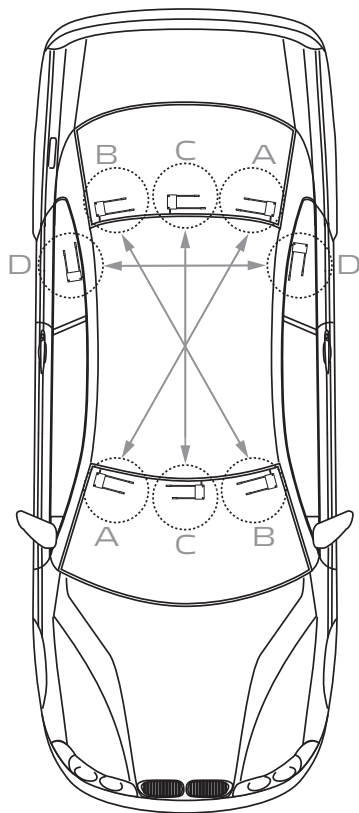


# Installation options ADSC470 vertical

05

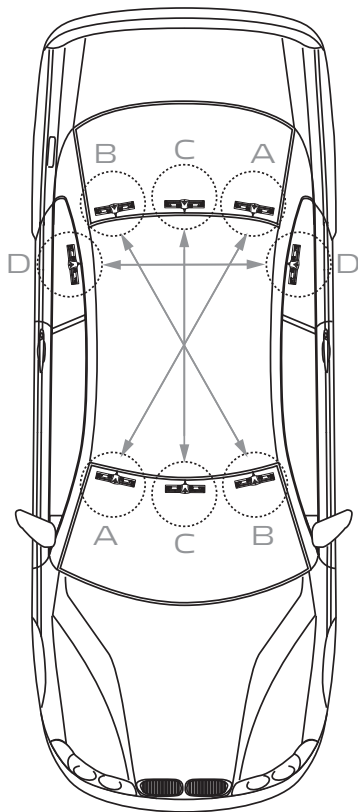


## 06 Installation options ADSC410 horizontal



# Installation options ADSC470 horizontal

07



INSTRUCTIONS

ADSC410  
ADSC470

ADSC410/470

FOR MORE INFORMATION

Funke Antennen B.V.

P.O. Box 36

5280 AA Boxtel, The Netherlands

[info@funke.nl](mailto:info@funke.nl)

[www.funke.nl](http://www.funke.nl)

